

The Waterproofing System should be installed in accordance with BS6229:2018 and AccuRoof project Specification.

The details shown are indicative and for approval only and do not form part of any contract.

Data sheets for all IKO Polymeric and IKO PLC products are available on request.

Project specifications are available on request.

A	23/10/20	EM	Original Detail
Rev:	Date:	By:	Description:

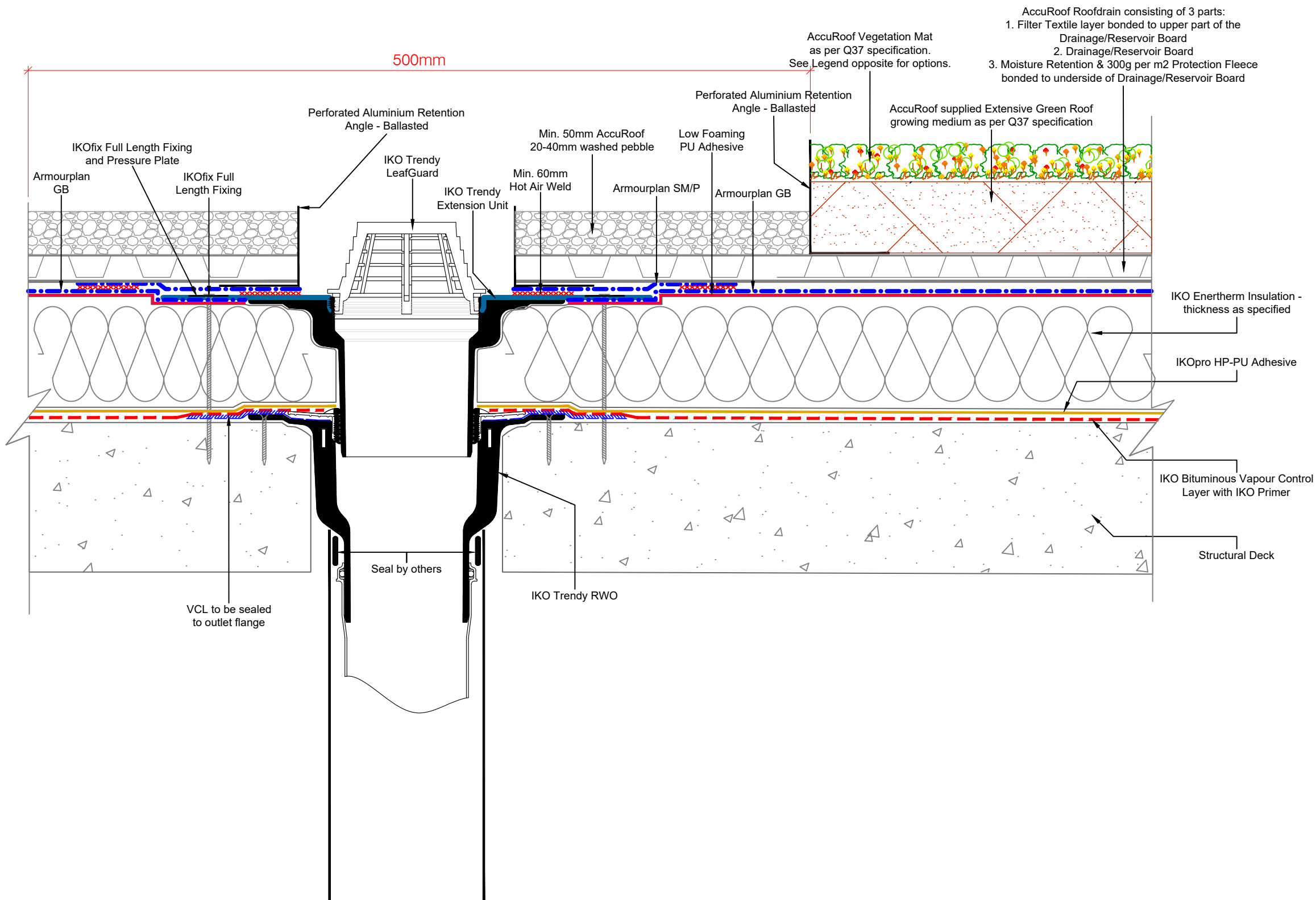
ACCUROOF

Unit 31F, Mannheim House, Gelders Hall Road, Shepshed, Loughborough, LE12 9NH
 Tel: 01509 501731
 Email: Technical@accuroof.co.uk
 Web: www.accuroof.co.uk

Drawing No:	GR-6c	Rev:	A
-------------	-------	------	---

Scale:	Not To Scale	Date:	23/10/2020
--------	--------------	-------	------------

Drawing: IKO Trendy Outlet - Single Part



The Waterproofing System should be installed in accordance with BS6229:2018 and AccuRoof project Specification.

The details shown are indicative and for approval only and do not form part of any contract.

Data sheets for all IKO Polymeric and IKO PLC products are available on request.

Project specifications are available on request.

A	23/10/20	EM	Original Detail
Rev:	Date:	By:	Description:

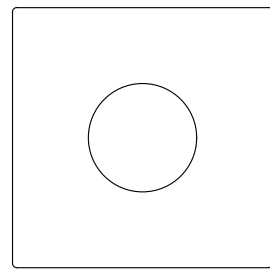


Unit 31F, Mannheim House, Gelders Hall Road, Shepsed, Loughborough, LE12 9NH
 Tel: 01509 501731
 Email: Technical@accuroof.co.uk
 Web: www.accuroof.co.uk

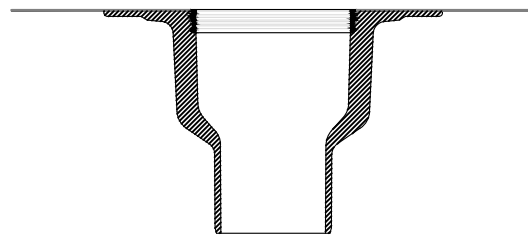
Drawing No:	GR-6d	Rev:	A
-------------	-------	------	---

Scale:	Not To Scale	Date:	23/10/2020
--------	--------------	-------	------------

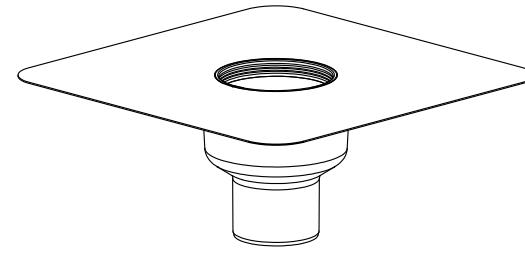
Drawing: IKO Trendy Outlet - Double Part



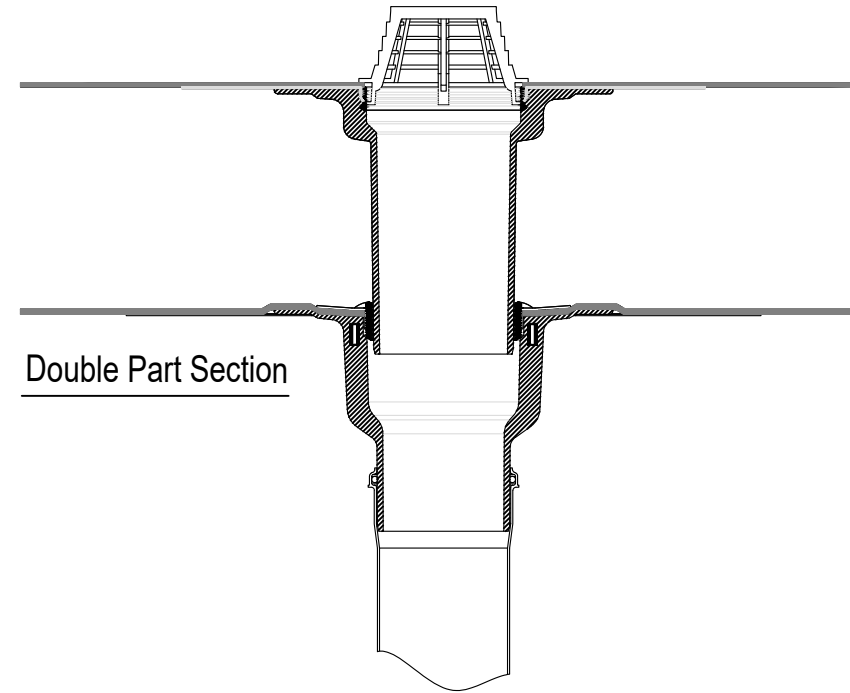
Plan view



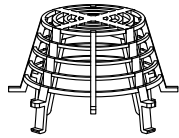
Section view -Trendy RWO



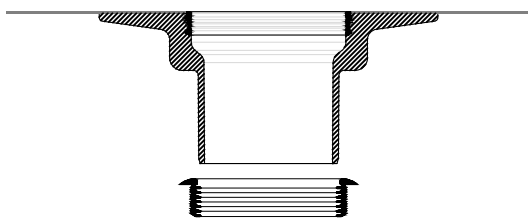
3D view



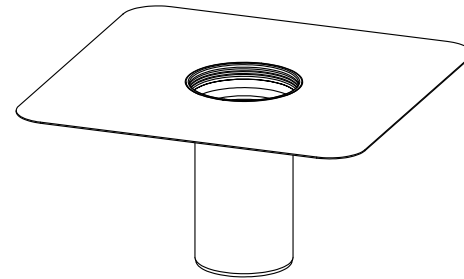
Double Part Section



Leafguard



Section view - Extension

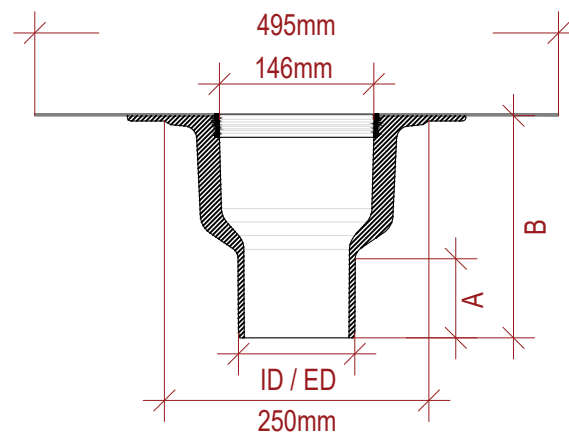
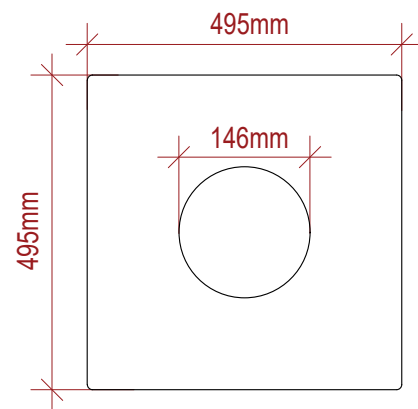


3D view

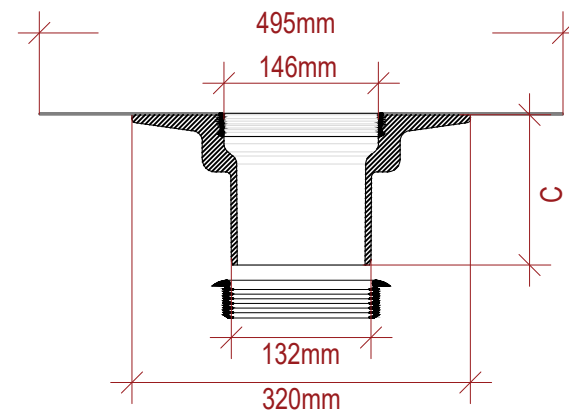
Trendy RWO	ID - Internal Diameter (mm)	ED - External Diameter (mm)	A (mm)	B (mm)	Flowrate (l/s) *
70mm	63	70	63	210	5.5
90mm	78	90	56	125	6.5
100mm	98	110	75	210	6.1
125mm	113	125	79	210	5.9

Extension Unit	
Insulation Range	C (mm)
60 - 110mm	142
60 - 150mm	183
120 - 220mm	251
60 - 320mm	355

*at 35m head of water



Trendy RWO



Extension Unit

The Waterproofing System should be installed in accordance with BS6229:2018 and AccuRoof project Specification.

The details shown are indicative and for approval only and do not form part of any contract.

Data sheets for all IKO Polymeric and IKO PLC products are available on request.

Project specifications are available on request.

A	23/10/20	EM	Original Detail
---	----------	----	-----------------

Rev:	Date:	By:	Description:
------	-------	-----	--------------

ACCUROOF

Unit 31F, Mannheim House, Gelders Hall Road,
Shepsed, Loughborough, LE12 9NH
Tel: 01509 501731
Email: Technical@accuroof.co.uk
Web: www.accuroof.co.uk

Drawing No:	GR-6cd	Rev:	A
-------------	--------	------	---

Scale:	Not To Scale	Date:	23/10/2020
--------	--------------	-------	------------

Drawing:
IKO Trendy Outlet - Single & Double Part
Technical Info