

AccuRoof Roofdrain consisting of 3 parts:
 1. Filter Textile layer bonded to upper part of the Drainage/Reservoir Board
 2. Drainage/Reservoir Board
 3. Moisture Retention & 300g per m2 Protection Fleece bonded to underside of Drainage/Reservoir Board

The Waterproofing System should be installed in accordance with BS6229:2018 and AccuRoof project Specification.

The details shown are indicative and for approval only and do not form part of any contract.

Data sheets for all IKO Polymeric and IKO PLC products are available on request.

Project specifications are available on request.

A	23/10/20	EM	Original Detail
Rev:	Date:	By:	Description:

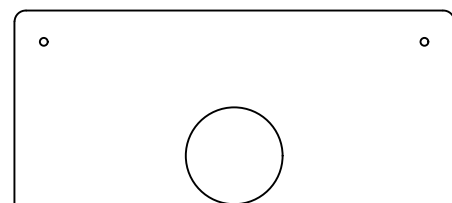


Unit 31F, Mannheim House, Gelders Hall Road,
 Shepshed, Loughborough, LE12 9NH
 Tel: 01509 501731
 Email: Technical@accuroof.co.uk
 Web: www.accuroof.co.uk

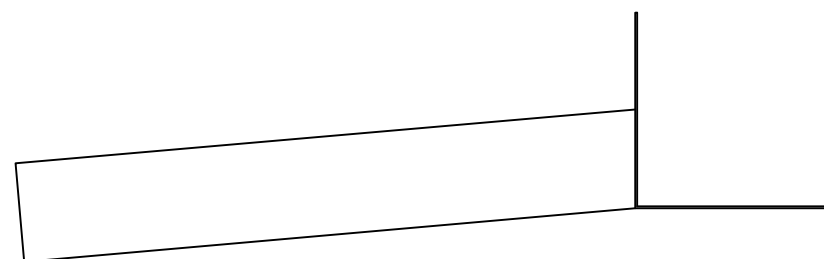
Drawing No:	GR-6e	Rev:	A
-------------	-------	------	---

Scale:	Not To Scale	Date:	23/10/2020
--------	--------------	-------	------------

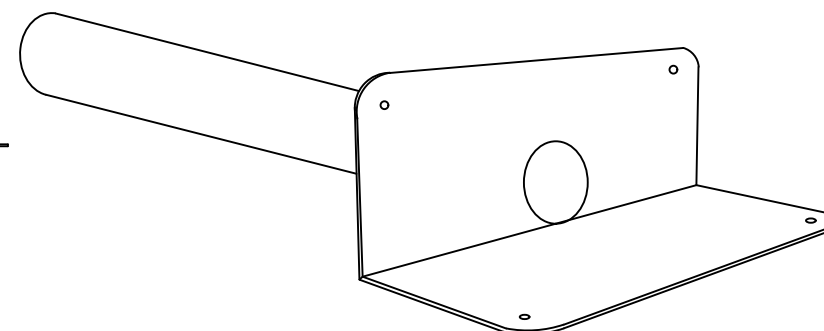
Drawing: Parapet Outlet Detail



Elevation



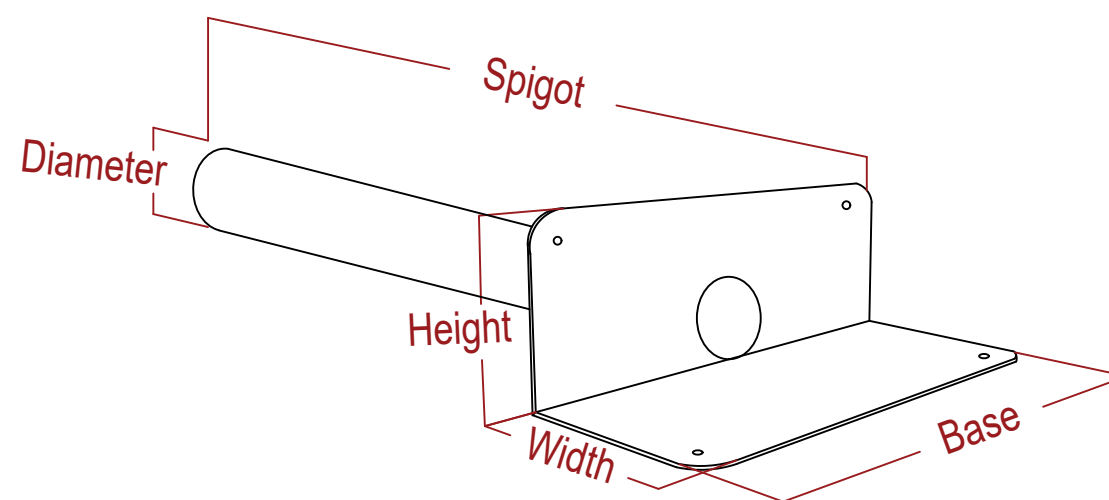
Section view



3D view

Parapet Outlet	Base x Width x Height (mm)	Spigot Length (mm)	Internal Diameter (mm)	External Diameter (mm)	Thickness (mm)	Flowrate (l/s)*
63mm	340 x 150 x 125	500	56	63	3.5	0.5
75mm	340 x 150 x 125	500	68	75	3.5	0.6
90mm	340 x 150 x 160	500	83	90	3.5	0.8
110mm	340 x 150 x 160	500	103	110	3.5	0.9

*at 35m head of water



The Waterproofing System should be installed in accordance with BS6229:2018 and AccuRoof project Specification.

The details shown are indicative and for approval only and do not form part of any contract.

Data sheets for all IKO Polymeric and IKO PLC products are available on request.

Project specifications are available on request.

A	23/10/20	EM	Original Detail
---	----------	----	-----------------

Rev:	Date:	By:	Description:
------	-------	-----	--------------

ACCUROOF

Unit 31F, Mannheim House, Gelders Hall Road,
Shepshed, Loughborough, LE12 9NH
Tel: 01509 501731
Email: Technical@accuroof.co.uk
Web: www.accuroof.co.uk

Drawing No:	GR-6ee	Rev:	A
-------------	--------	------	---

Scale:	Not To Scale	Date:	23/10/2020
--------	--------------	-------	------------

Drawing:
Parapet Outlet Detail Technical Info