

The Waterproofing System should be installed in accordance with BS6229:2018 and AccuRoof project Specification.

The details shown are indicative and for approval only and do not form part of any contract.

Data sheets for all IKO Polymeric and IKO PLC products are available on request.

Project specifications are available on request.

A	23/10/20	EM	Original Detail
Rev:	Date:	By:	Description:

# ACCUROOF

Unit 31F, Mannheim House, Gelders Hall Road,  
 Shepshed, Loughborough, LE12 9NH  
 Tel: 01509 501731  
 Email: [Technical@accuroof.co.uk](mailto:Technical@accuroof.co.uk)  
 Web: [www.accuroof.co.uk](http://www.accuroof.co.uk)

Drawing No:	GR-6f	Rev:	A
-------------	-------	------	---

Scale:	Not To Scale	Date:	23/10/2020
--------	--------------	-------	------------

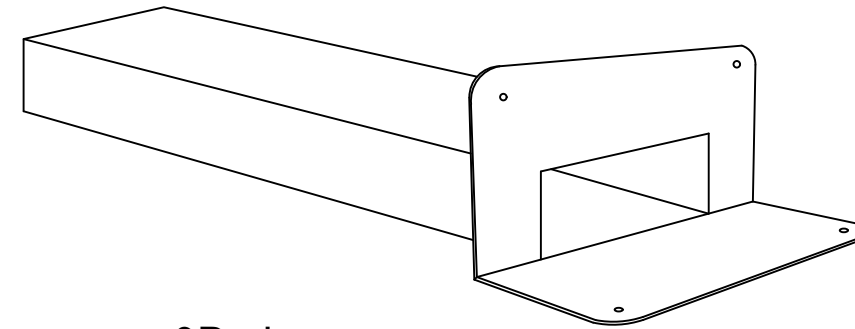
Drawing: PVC Box Scupper RWO Detail



Elevation



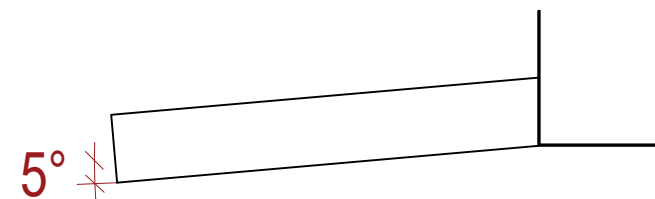
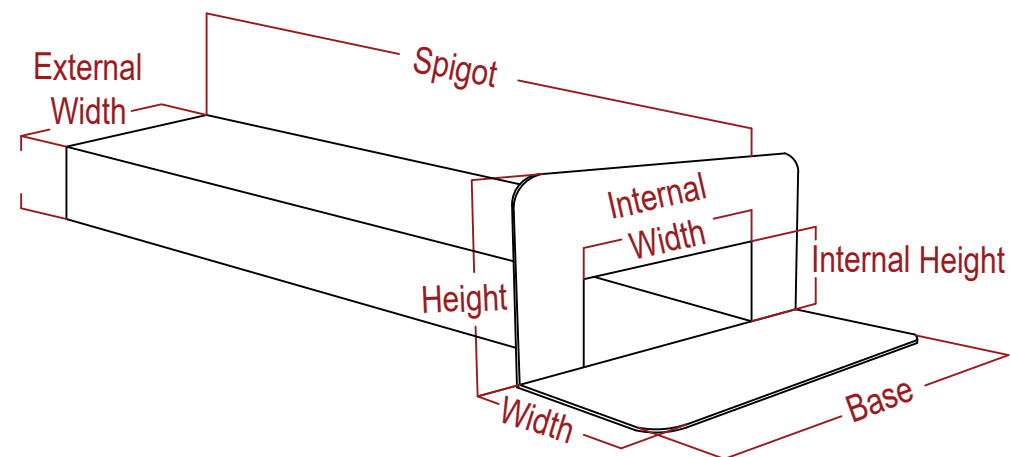
Section view



3D view

PVC Box Scupper	Base x Width x Height (mm)	Spigot Length (mm)	Internal Width (mm)	Internal Height (mm)	External Width (mm)	External Height (mm)	Thickness (mm)	Flowrate (l/s)*
180 x 80	390 x 100 x 185	600	180	80	188	88	4	1.6
300 x 100	510 x 100 x 205	600	300	100	310	110	5	2.6

\*at 35m head of water



The Waterproofing System should be installed in accordance with BS6229:2018 and AccuRoof project Specification.

The details shown are indicative and for approval only and do not form part of any contract.

Data sheets for all IKO Polymeric and IKO PLC products are available on request.

Project specifications are available on request.

A	23/10/20	EM	Original Detail
Rev:	Date:	By:	Description:

**ACCUROOF**

Unit 31F, Mannheim House, Gelders Hall Road,  
Shepsed, Loughborough, LE12 9NH  
Tel: 01509 501731  
Email: [Technical@accuroof.co.uk](mailto:Technical@accuroof.co.uk)  
Web: [www.accuroof.co.uk](http://www.accuroof.co.uk)

Drawing No:	GR-6ff	Rev:	A
-------------	--------	------	---

Scale:	Not To Scale	Date:	23/10/2020
--------	--------------	-------	------------

Drawing:  
PVC Box Scupper RWO Technical Info