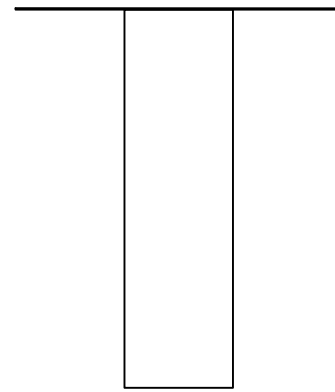
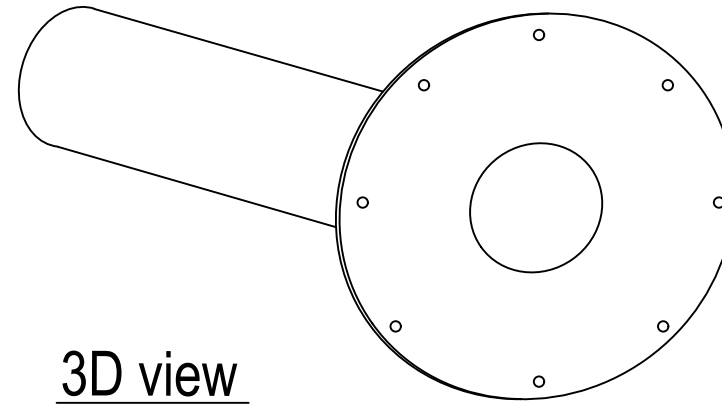


Plan view



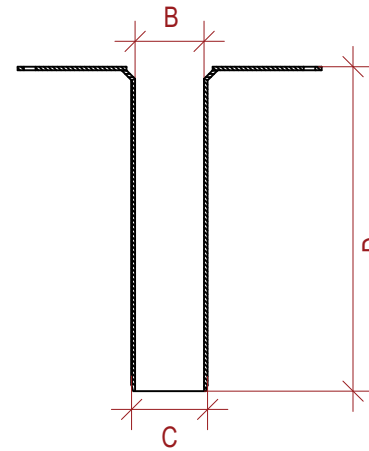
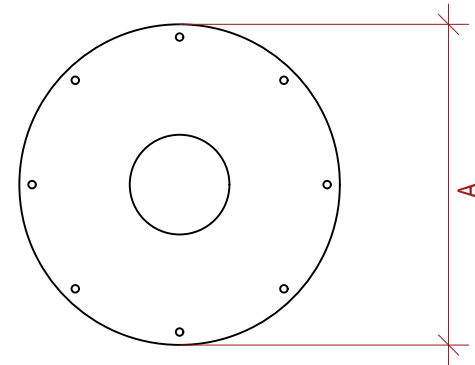
Section view



3D view

Key:

- A - Base Plate
- B - Internal Diameter
- C - External Diameter
- D - Spigot Length



PVC	A (mm)	B (mm)	C (mm)	D (mm)	Thickness (mm)	Flowrate (l/s) *
50mm	300	43	50	330	3.5	1
56mm	300	49	56	330	3.5	1.2
63mm	300	56	63	330	3.5	1.6
75mm	300	69	75	330	3.5	2.1
90mm	385	83	90	330	3.5	2.5
95mm	385	89	95	330	3.5	2.7
110mm	385	103	110	330	3.5	3
125mm	385	118	125	330	3.5	3.5
140mm	385	133	140	330	3.5	3.9
160mm	385	153	160	330	3.5	4.4

*at 35m head of water

The Waterproofing System should be installed in accordance with BS6229:2018 and AccuRoof project Specification.

The details shown are indicative and for approval only and do not form part of any contract.

Data sheets for all IKO Polymeric and IKO PLC products are available on request.

Project specifications are available on request.

A	11/10/23	AT	Original Detail
Rev:	Date:	By:	Description:

ACCUROOF

Unit 31F, Mannheim House, Gelders Hall Road,
Shepshed, Loughborough, LE12 9NH
Tel: 01509 501731
Email: Technical@accuroof.co.uk
Web: www.accuroof.co.uk

Drawing No:	SIG-ASG-07	Rev:	A
-------------	------------	------	---

Scale:	Not To Scale	Date:	11/10/2023
--------	--------------	-------	------------

Drawing: Vertical RWO Technical Info