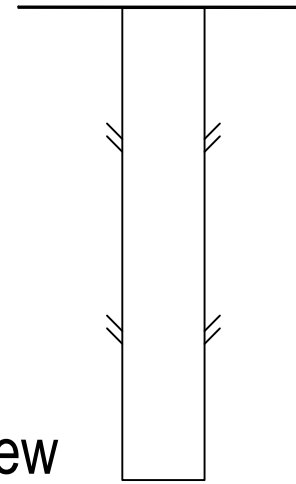
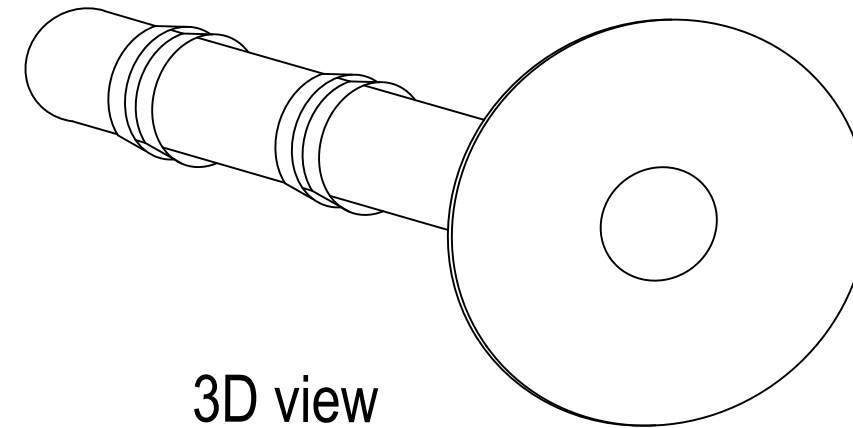


Plan view



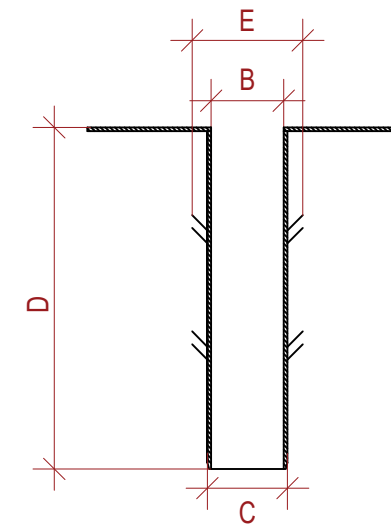
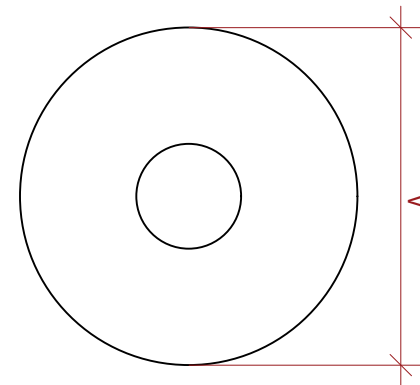
Section view



3D view

Key:

- A - Base Plate
- B - Internal Diameter
- C - External Diameter
- D - Spigot Length
- E - External Diameter + Fins



PVC Refurb	A (mm)	B (mm)	C (mm)	D (mm)	E (mm)	Thickness (mm)	Flowrate (l/s) *
63mm	330	44	49	400	57	2.5	1.6
75mm	330	57	62	400	70	2.5	2.1
90mm	330	72	77	400	85	2.5	2.5
100mm	330	82	87	400	95	2.5	2.8
110mm	390	92	97	400	105	2.5	3
125mm	390	103	108	400	118	2.5	3.5
150mm	390	130	135	400	145	2.5	4.1

*at 35m head of water

The Waterproofing System should be installed in accordance with BS6229:2018 and AccuRoof project Specification.

The details shown are indicative and for approval only and do not form part of any contract.

Data sheets for all IKO Polymeric and IKO PLC products are available on request.

Project specifications are available on request.

A	11/10/23	BP	Original Detail
Rev:	Date:	By:	Description:

ACCUROOF

Unit 31F, Mannheim House, Gelders Hall Road,
Shepshed, Loughborough, LE12 9NH
Tel: 01509 501731
Email: Technical@accuroof.co.uk
Web: www.accuroof.co.uk

Drawing No:	SIG-ASM-09	Rev:	A
-------------	------------	------	---

Scale:	Not To Scale	Date:	11/10/2023
--------	--------------	-------	------------

Drawing:	Vertical RWO - Refurb Technical Info
----------	--------------------------------------