

Elevation

Section view

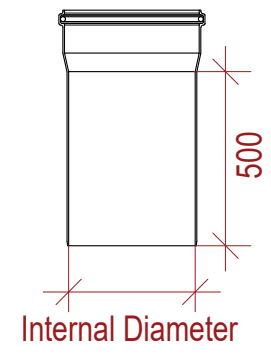
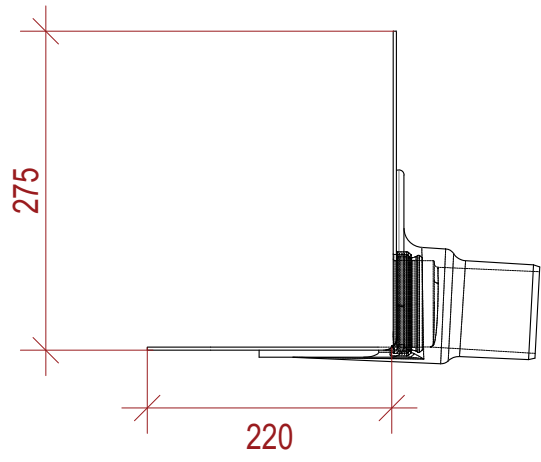
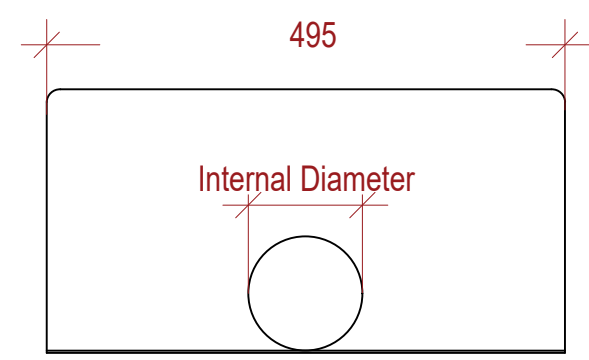
3D view

Leafguard

Extension Piece

Easy Flow RWO	Internal Diameter (mm)	Extension Piece (mm)	Flowrate (l/s) *
70mm	70	500 & 1000	0.6
100mm	100	500 & 1000	0.8

*at 35m head of water



The Waterproofing System should be installed in accordance with BS6229:2018 and AccuRoof project Specification.

The details shown are indicative and for approval only and do not form part of any contract.

Data sheets for all IKO Polymeric and IKO PLC products are available on request.

Project specifications are available on request.

A	11/10/23	BP	Original Detail
Rev:	Date:	By:	Description:



Unit 31F, Mannheim House, Gelders Hall Road, Shepshed, Loughborough, LE12 9NH
 Tel: 01509 501731
 Email: Technical@accuroof.co.uk
 Web: www.accuroof.co.uk

Drawing No:	SIG-ASM-16	Rev:	A
-------------	------------	------	---

Scale:	Not To Scale	Date:	11/10/2023
--------	--------------	-------	------------

Drawing:
 Parapet RWO Easy Flow Technical Info